

Electric Pastry Oven (Digital Control)

電熱焗餅爐 (數控式)

Product Features:

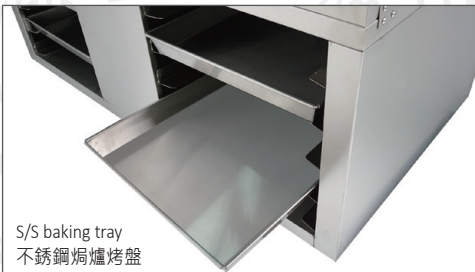
- Micro-computer control with timer for precise temperature setting
- Oven door with heat resistant double glass pane and interior lighting for easy operation
- High quality heating elements with fast heat-up time and even heat distribution
- Separate heating level control for top and bottom heating elements
- Solid #304 stainless steel construction for hygiene and corrosion resistance

產品特點：

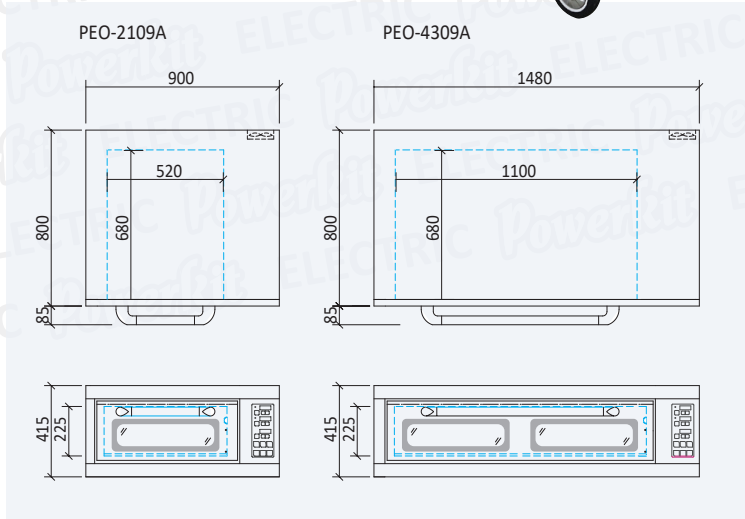
- 採用微電腦控制，附定時控制裝置，石板底，加濕器
- 耐高溫雙層玻璃視窗和內置照明，方便觀察
- 優質發熱線，升溫快，溫度均勻
- 面火及底火均可獨立控制
- 全304不銹鋼外殼，符合食物安全標準，衛生清潔



PEO-4309A
With optional S/S oven stand
連另配不銹鋼焗爐架



S/S baking tray
不銹鋼焗爐烤盤



		Pastry Oven 焗餅爐	
Model 型號 →		PEO-2109A	PEO-4309A
Exterior Dimensions (W x D x H mm)	產品外尺寸 (闊 x 深 x 高 mm)	900 x (800+85) x 415	1480 x (800+85) x 415
Interior Dimensions (w x d x h mm)	產品內尺寸 (闊 x 深 x 高 mm)	520 x 680 x 225	1100 x 680 x 225
Voltage (V/Ph/Hz)	電壓 (V/Ph/Hz)	220/1/50~60	380/3/50~60
Loading (kW)	功率 (kW)	2 (Upper Heater 頂發熱線) 2 (Lower Heater 底發熱線)	3 (Upper Heater 頂發熱線) 3 (Lower Heater 底發熱線)
Interior Lighting	焗爐內照明	220V/1Ph/50~60Hz, 25Watt	
Base Plate	底盤	Stone Sole 石板底 / Iron Sole 鉄板底	
Net / Gross Wt. (kgs)	淨 / 毛重 (公斤)	90 / 95	190 / 205
Optional Accessories	另選配件	S/S oven stand; humidifier; S/S baking tray 不銹鋼焗爐架; 加濕器; 不銹鋼焗爐烤盤	